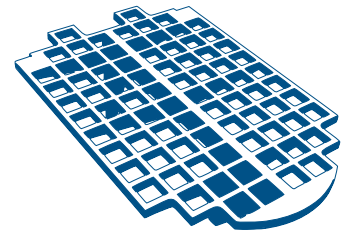




## FOR USE WITH COMBIMATE LIMESCALE PREVENTION DEVICE

Your Combimate can be used to offer two different levels of protection, **complete system protection** or **single appliance protection**. Inside the dome is a removable **Divider Tray** which allows you to select the quantity of Combiphos that the Combimate can hold.

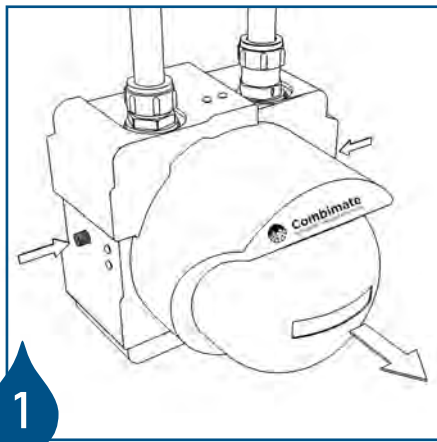


### Single appliance protection

Divider Tray to remain in place (place 400g of Combiphos on to tray)

### Complete system protection

Divider Tray must be removed (fill dome with 800g of Combiphos)



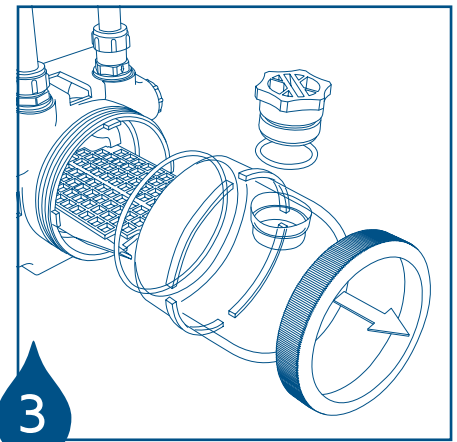
1

Depress the two red buttons and pull the cover away from the unit (Water flow through the unit is shut off when the cover is removed).



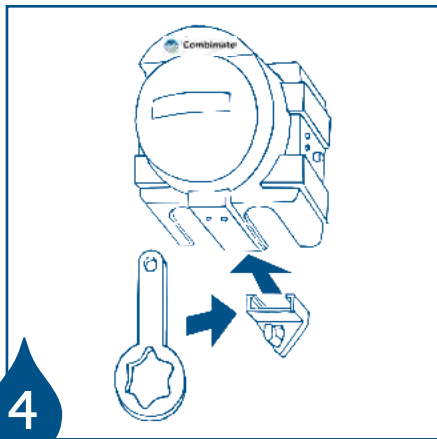
2

Place a bowl under unit to catch any residue. Unscrew red filler plug using the spanner provided. Unscrew and remove aluminium ring.



3

Remove dome from base, empty exhausted Combiphos and clean base. **Fit new 'O' ring seal**, refit dome and aluminium ring. Refill with new Combiphos through hole in dome.



4

Refit red filler plug and replace front cover. Hang spanner on hook.

