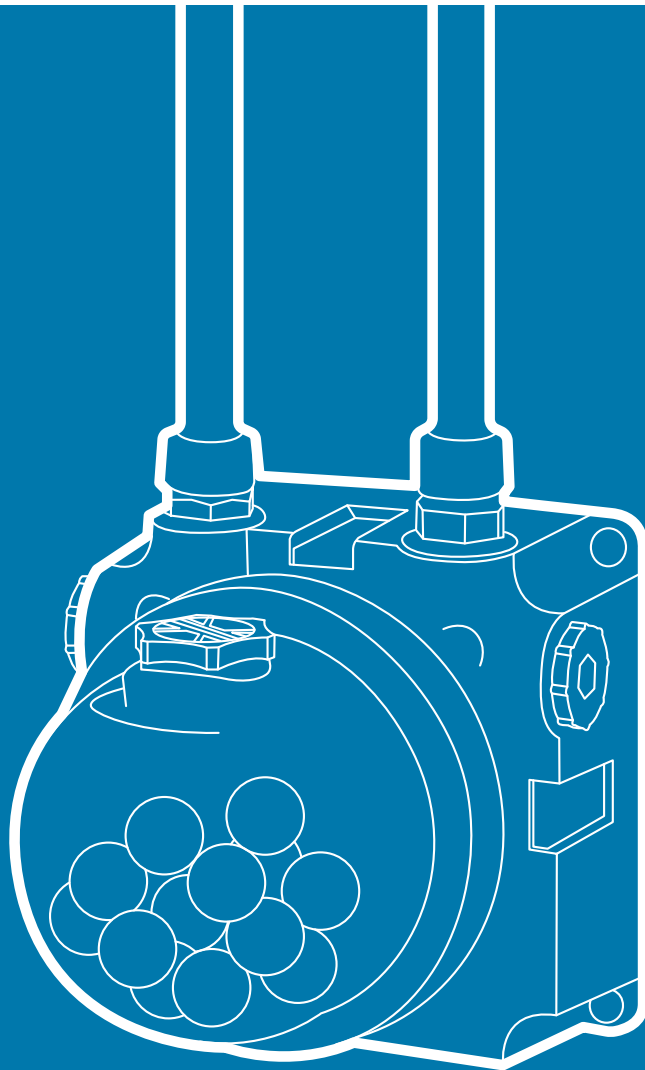


Limescale Prevention





Combimate

Guaranteed prevention of limescale and soft water corrosion water control with no moving parts

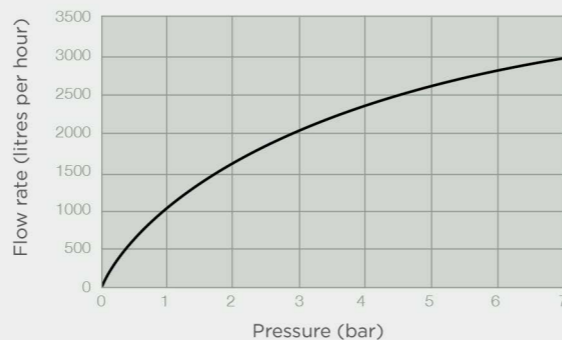
How it works

Combimate is filled with the appropriate amount of Combiphos which, when in contact with water, is released in very small quantities, sufficient to keep the mineral ions in suspension.

This action prevents the formation of scale while retaining the health benefits of the natural minerals contained in hard water. Combiphos coats the inside of the pipework, boiler heat exchanger and appliances with a non-residual, microscopic, protective coating to prevent scale-causing minerals from accumulating and aggressive soft water from corroding the system and appliances.



Flow rate through Combimate with Combiphos present (+/- 10%)



Health and safety

Combiphos is tasteless and odourless and contains a polyphosphate compound which is classified by the WHO as a 'food-grade' additive. The quantity, size and hardness of the spheres control the amount of Combiphos released. Typically this is less than 3ppm (parts per million) of phosphate in treated water and perfectly safe for human consumption.

Tried and tested

Combiphos is a polyphosphate compound specifically developed to provide the most effective limescale prevention in flow-through installations. Polyphosphate dosing has been safely used to treat water throughout the world for many years.

The Combimate de-scaling guarantee

If Combimate is installed with a new boiler and the Combiphos is replaced annually, Cistermiser guarantees that the new boiler, new heat store or new heat exchanger will not scale up.

Cistermiser is so confident in the capabilities of Combimate, when used with Combiphos, that if the unit it is protecting experiences significant scaling, we will contribute up to £500 towards the cost of repair or replacement.*

*Subject to Cistermiser's warranty policy
Note: Combiphos does not soften water and its effectiveness may be reduced in water heated to temperatures above 60 degrees, in water with carbonate hardness levels above 360ppm or at pH levels below 6.5.

Combimate is a user-friendly domestic limescale prevention device that uses Combiphos

Combiphos, a polyphosphate compound, is 100% food grade material approved by the FAO/WHO and compliant with the European normative standard BS EN 1208, that prevents scale build-up and soft water corrosion in combination boilers and other domestic hot water appliances.

- Prevents limescale in hard water and soft water corrosion.
- Required where cce is greater than 200ppm in compliance with Part L of the Building Regulations.
- Keeps pipework clear and energy costs down.
- Prevents 'brown' water, protects pipework and keeps maintenance costs down.
- Compact, flexible and quick to install on vertical and horizontal pipework with top or bottom entry.
- For single appliances or 'whole house' water supply.
- Safe for drinking water and all domestic appliances.
- 100% food grade material; FAO/WHO approved and compliant with BS EN 1208.
- No maintenance.
- Easy annual Combiphos top-up.
- WRAS approved.



A protective outer cover is fitted to complete Combimate installation.



Combiphos should be replaced on an annual basis. Combiphos Refill boxes (800g) are available from trade outlets.



Installing Combimate

There are two possible installations; whole-house supply or single appliance.

Whole-house supply

For this installation Combimate should be plumbed in after the stop-valve on the cold water supply to the premises. The white removable divider tray should be removed from inside the Combimate dome in a whole house installation so that the dome can be completely filled with Combiphos.

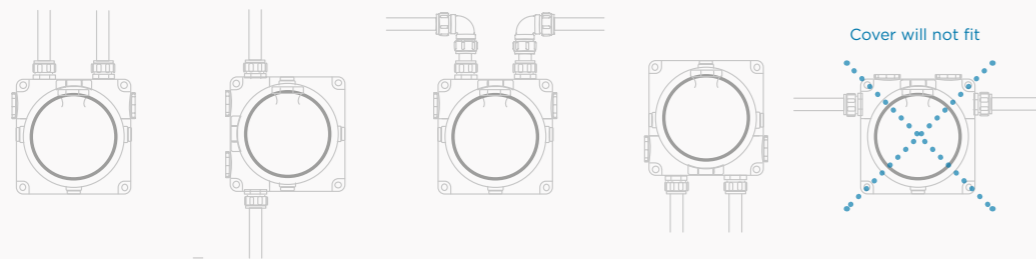
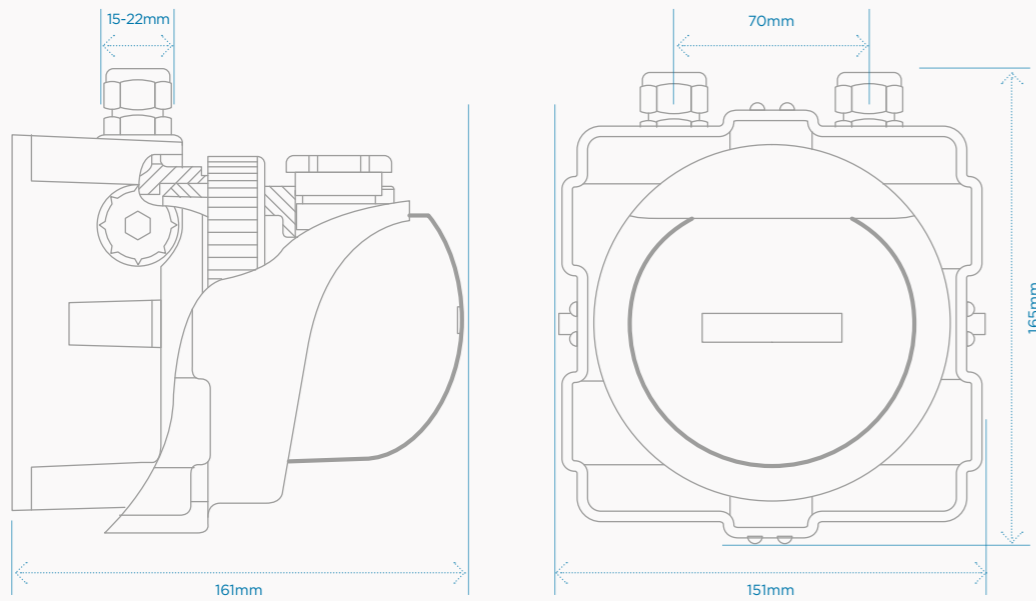
Single appliance installations

Combimate can be used to protect a single appliance by placing it on the cold water supply to that appliance e.g. a boiler in which case the red removable divider

tray should be left in place, and Combiphos should only be put in the top half of the dome and this reduces the amount of Combiphos required.

Inlet and outlet connections use 15mm or 22mm compression fittings (depending on model). There is minimal pressure or flow rate loss through Combimate. Vertical, top and bottom entry pipework can be used which ensures easy retrofit installation. Combimate should be installed at least 0.5m from any local sources of heat such as boilers or hot water pipes.

The Combimate can be installed in various configurations allowing maximum flexibility of pipework configurations.



Product codes

- Combimate (15mm fitting): **COM1**
- Combimate (22mm fitting): **COM2**

FACT

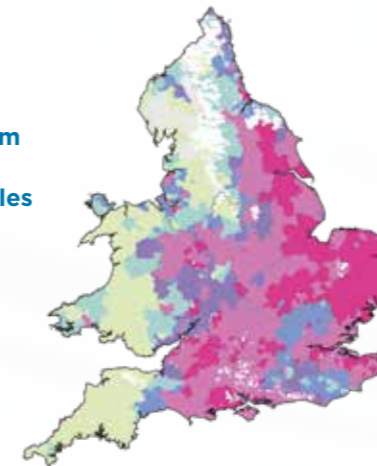
1.6mm or 1/16” of scale in a heating system causes a 12% loss in heating efficiency.

“If you live in a hard water area, doing nothing to counter the problems that limescale causes is probably the most expensive option.”



BRITISH WATER
expertise worldwide

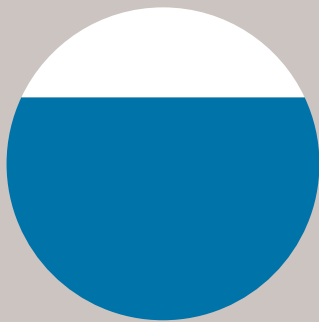
Rate of water hardness in mg/l of calcium carbonate in England & Wales



KEY

- No information
- Soft: 0-50
- Moderately Soft: 51-100
- Slightly Hard: 101-150
- Moderately Hard: 151-200
- Hard: 201-300
- Very Hard: Over 300
- No public supply

© Crown copyright
All rights reserved Defra 100018880 2009



Cisterniser Limited

Unit 1, Woodley Park Estate,
59-69 Reading Road,
Woodley, Reading,
Berkshire,
RG5 3AN
t: +44 (0) 118 969 1611
e: sales@cisterniser.co.uk

cisterniser.co.uk



Cisterniser is a subsidiary of Davidson Holdings Ltd.

E&OE. Cisterniser Ltd reserves the right to amend specifications in this catalogue, as products and services are updated and improved.